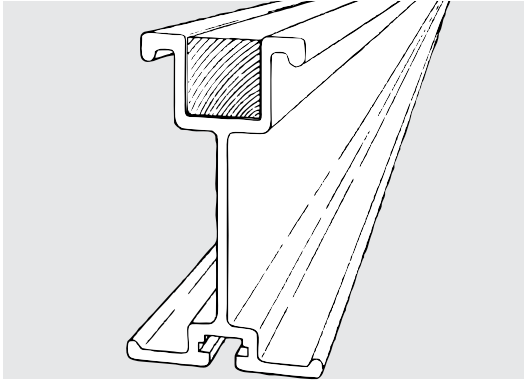


# Aluminum Shoring Joist

## Technical Data Guide



SHR

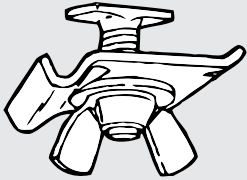
- Allowable uniform loads "simply" supported and laterally braced
- Less than 4 lbs. per foot, including nailing strip, makes them easy to carry and install.
- Reduces labor costs. Lowers transportation costs.
- Can be used as either a joist or stringer.
- 2" x 2" nailing strip for easy plywood attachment. Factory installed. Field replaceable.
- Reverse flange stiffening reduces damage during handling.
- The channel on the underside of the beam accepts the "ABC" aluminum beam clamp or a ½" hex. head bolt.
- 4" wide flange fits standard 4" wide U-head on shoring jacks and post shores. Allows side-by-side installation in 8" wide U-heads. Nests for compact shipment.
- 6½" height compatible with other joists.

## Loads and Bracing

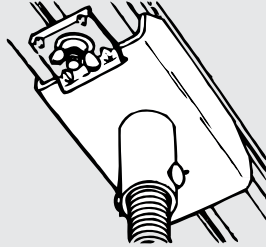
### Span and Load Capacities

Simple Span (ft.)	4'	5'	6'	7'	8'	9'	10'	11'	12'
Total Load* (lbs./ft.)	2500	2100	1475	960	645	450	330	245	190

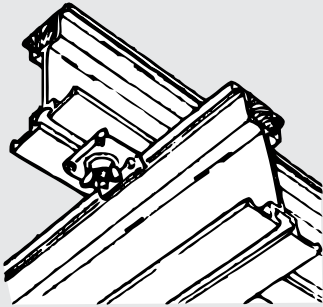
\*Total load includes weight of formwork and concrete plus an additional 25% for live load. Deflection is limited to Length/360 calculated on dead load only. Minimum factor of safety is 2.2:1.



"ABC" Aluminum Beam Clamp



Stringer to U-Head



Joist to Stringer



BrandSafway® ALJ Aluminum beams can be used as both joists and stringers.

All drawings on this sheet are for illustrative purposes only. This sheet is intended for general information purposes only. Because of the many variables which affect the performance of the product line, some of the information in this brochure may not apply. For specific applications, contact BrandSafway.

NOTE: Erection, use, maintenance and disassembly must conform to current manufacturer's instructions as well as all federal, state, provincial and local regulations. Copies of complete Safety Guidelines for these and other products are available from BrandSafway without charge.

**Brand Industrial Services, Inc.**  
1325 Cobb International Dr. Ste A-1  
Kennesaw, GA USA 30152  
**Toll free: 800 558 4772**

For more information, visit our website at [www.brandsafway.com](http://www.brandsafway.com)

©2018 All rights reserved.

ORN 552 Rev. B 1/10