

Retractable Lifeline Bracket (SRLB) Installation Instructions

⚠ WARNING

SERIOUS INJURY OR DEATH CAN RESULT FROM FAILURE TO FAMILIARIZE YOURSELF AND COMPLY WITH ALL APPLICABLE SAFETY REQUIREMENTS OF FEDERAL, STATE, PROVINCIAL AND LOCAL REGULATIONS AND THESE INSTRUCTIONS BEFORE ERECTING, USING OR DISMANTLING THIS SCAFFOLD. INSTALLATION AND DISMANTLING MUST BE DONE UNDER SUPERVISION OF A COMPETENT PERSON EXPERIENCED IN SCAFFOLD ERECTION AND DISMANTLING.

- DO NOT USE IN ANY OTHER FASHION OR WITH ANY OTHER COMPONENTS WITHOUT CONSULTING BRANDSAFWAY.
- SRLB IS NOT INTENDED TO BE USED AS A HOIST ARM.
- DO NOT OVERLOAD. SRLB IS RATED FOR 900 LB. ARREST FORCE.
- SRLB MUST BE INSTALLED DIRECTLY ABOVE ACCESS LADDER.

Please read and follow these instructions before installing, using or dismantling this bracket.

Prior to Installation

1. Customer must check and verify that the existing structure can safely support all tie loads imposed on it by the scaffold.

Product Inspection

1. SRLB shall be inspected by a qualified person before each use and periodically during use.
2. If damage is found, immediately remove the SRLB from service and replace with a new SRLB.

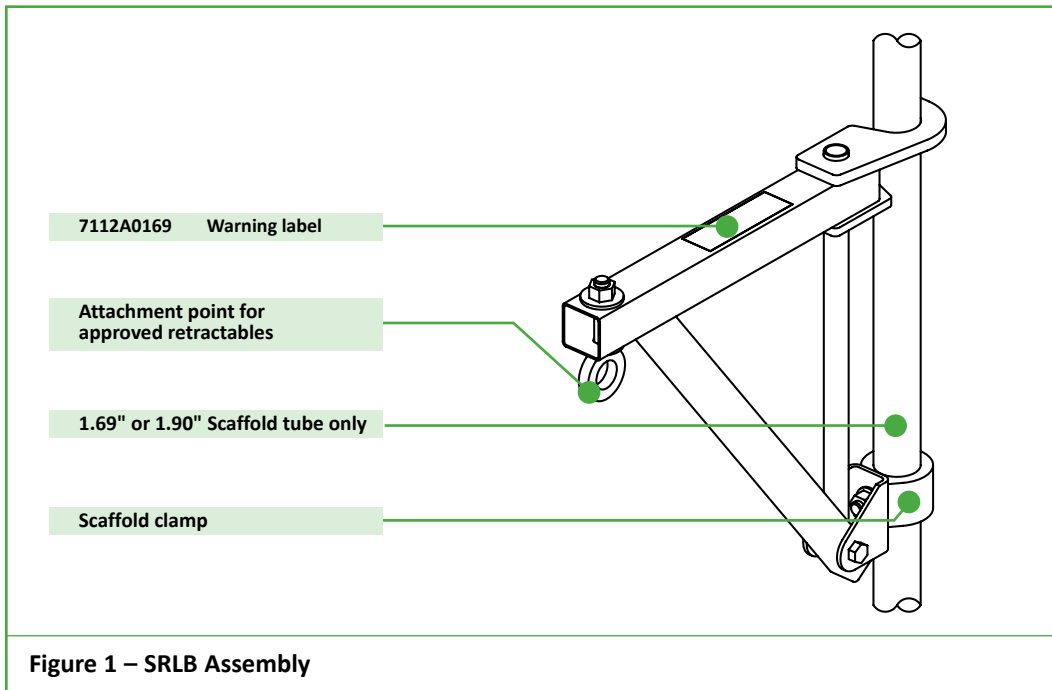
Approved Retractable

Tractel® Fallstop Model Numbers

- VSERT_G Series
- VSERT_S Series
- VSERT_R Series

Retractable Lifeline to be installed and operated per Tractel® Fallstop Blocfor™ Use and Maintenance Instructions (3912BLO). Tractel can be reached at (800) 561-3229 or by e-mail at fallstop@tractel.com

For evaluation of retractable lifelines not listed, contact the BrandSafway Engineering Department.



Scaffold Bracing Installation

1. Erect scaffold as required by OSHA, CAN/CSA and BrandSafway instructional materials, available from BrandSafway.
2. Make sure all coupling pin snap buttons or other locking devices are engaged.
3. Install Tube & Clamp bracing as shown.
4. Install anchors (Fig. 3 and Fig. 4). For tying options not shown, contact the BrandSafway Engineering Department.
5. Install SRLB, torque clamp bolt to approximately 45 ft. lbs.
6. Retractable Lifeline is to be installed using appropriate connector and operated per Tractel® Fallstop Blocfor™ Use and Maintenance Instructions.

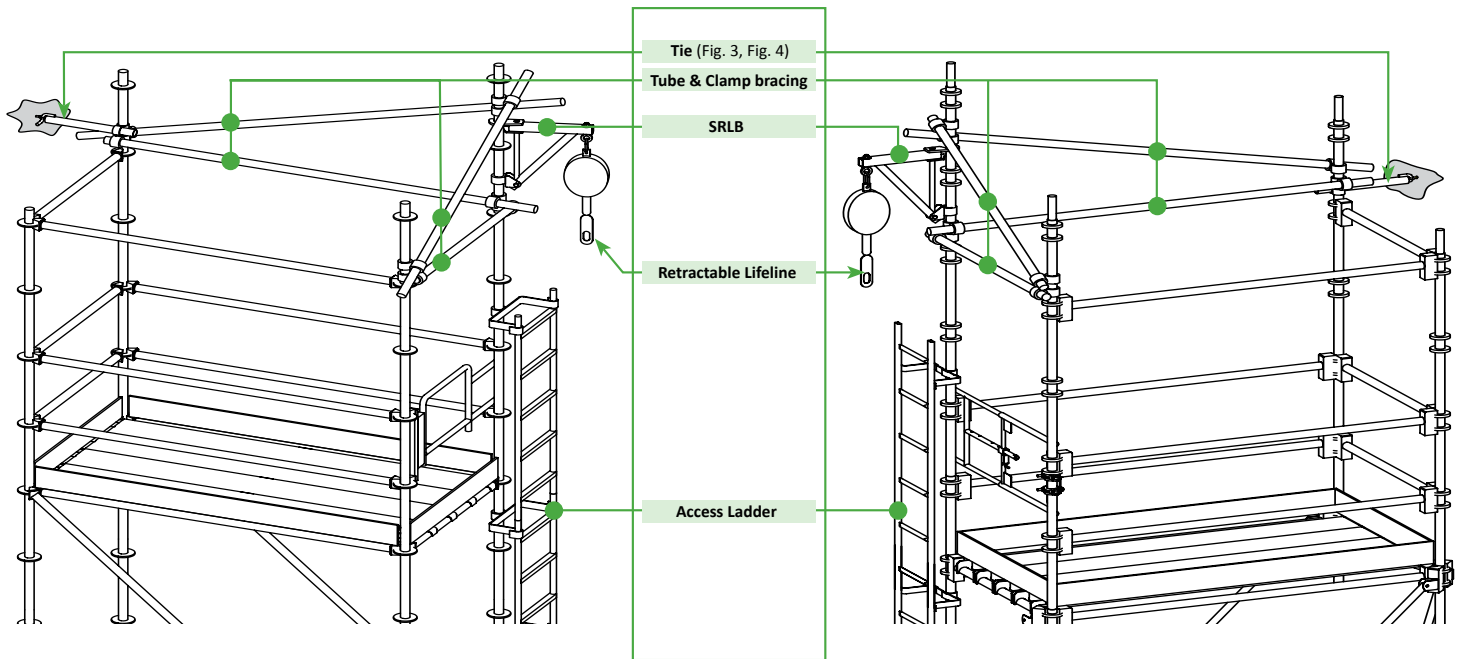


Figure 2 – General Configuration (SafLock and Systems™ Scaffold shown for illustrative purposes.)

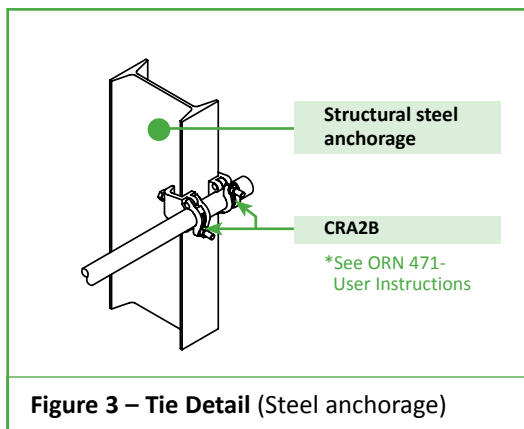


Figure 3 – Tie Detail (Steel anchorage)

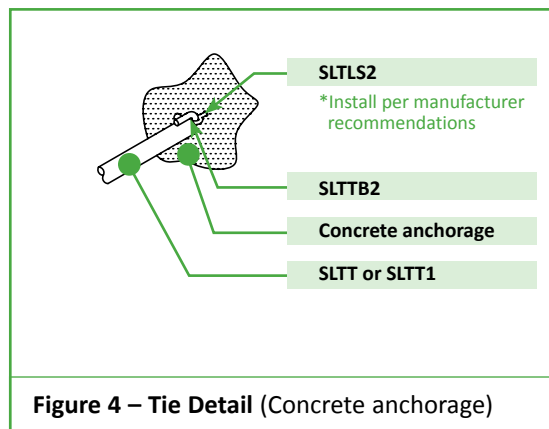


Figure 4 – Tie Detail (Concrete anchorage)

All drawings on this sheet are for illustrative purposes only. This sheet is intended for general information purposes only. Because of the many variables which affect the performance of the product line, some of the information in this brochure may not apply. For specific applications, contact BrandSafway.

Note: All scaffolds shall be erected, modified and dismantled only under the supervision of a Competent Person. Erection, use, maintenance and disassembly must conform to current manufacturer's instructions as well as all federal, state, provincial and local regulations. Copies of complete Safety Guidelines for these and other products are available from BrandSafway without charge.