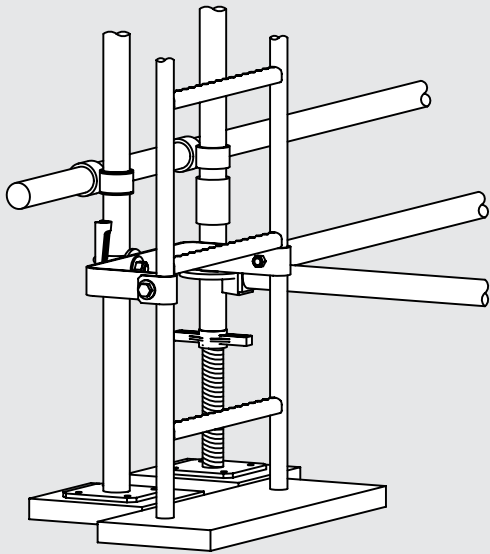


SafLock System Scaffold®

Scaffold Access Ladder

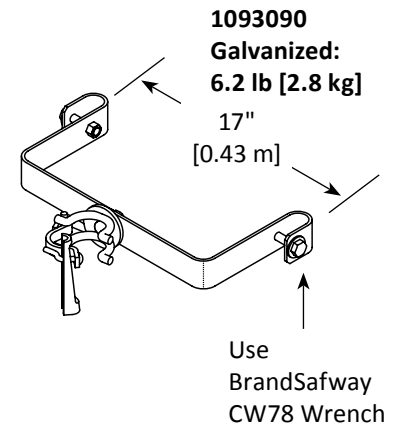
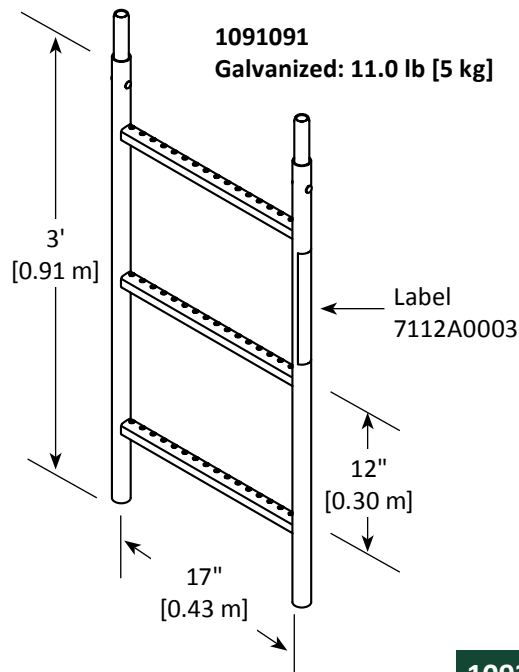
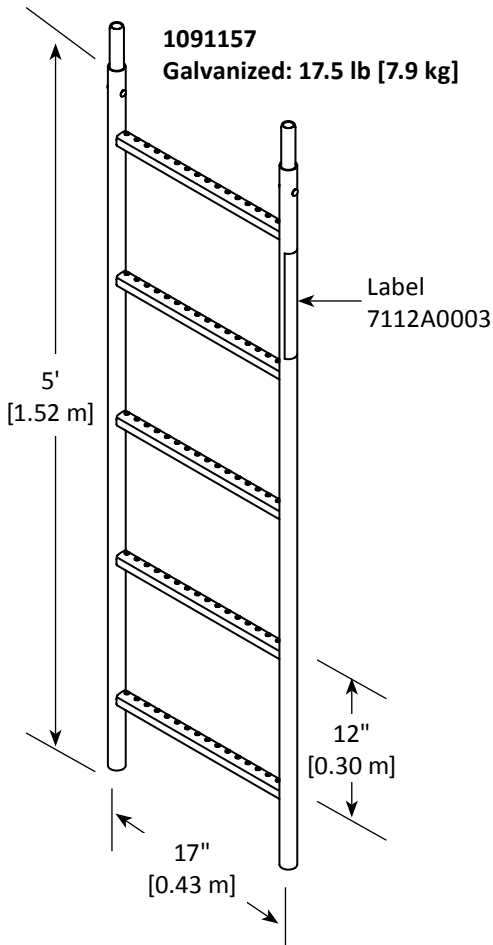
Installation Instructions



2 Scaffold Access Ladder Installation Instructions

NOTICE

Please read and follow these instructions before installing, using or dismantling these scaffold access ladder components. Serious injury or death can result from FAILURE to familiarize yourself, and comply, with all applicable safety requirements of federal, state, local and provincial regulations. Installation and dismantling must be done under supervision of a COMPETENT PERSON experienced in scaffold erection and dismantling. DO NOT use in any other fashion or with any other components without consulting BrandSafway or your BrandSafway dealer.



1093090 Replacement Hardware

Description	Part No.
Bolt	5143A0822
Washer	5181A0010

Use these installation instructions for 1091157, 1091091 and 1093090 when used with SafLock frame and brace, and tube and clamp scaffolds.

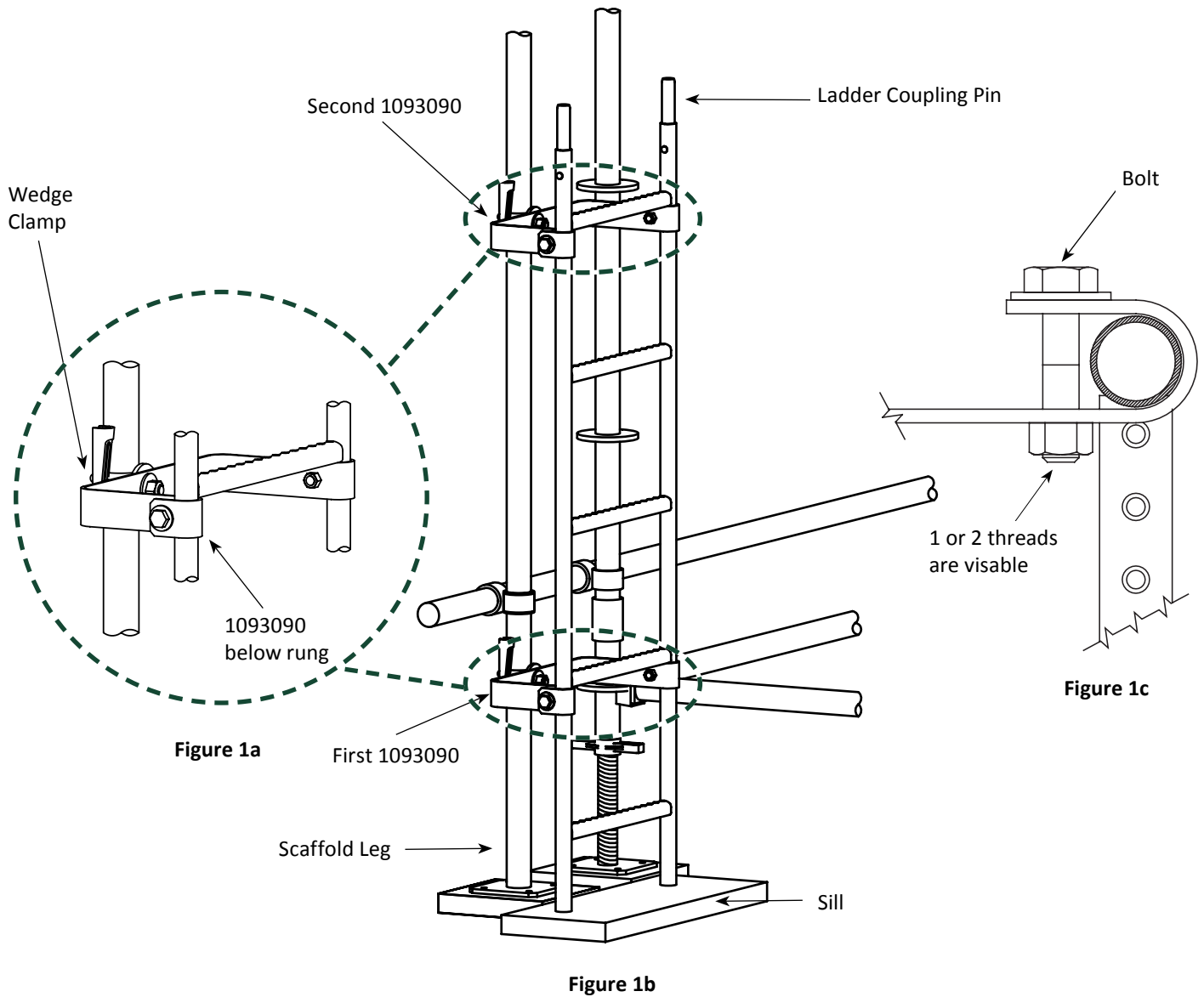
1. General

- Position scaffold access ladders in a location that avoids possible obstructions.
- Install scaffold access ladders while working from a scaffold platform and use fall protection per employers fall protection plan.
- Install scaffold access ladder sections as scaffold is built.
- Install/use access gates as appropriate.
- Dismantle scaffold access ladder using reverse procedure.
- Follow appropriate BrandSafway Scaffold Safety Guidelines.

2. Initial Planning

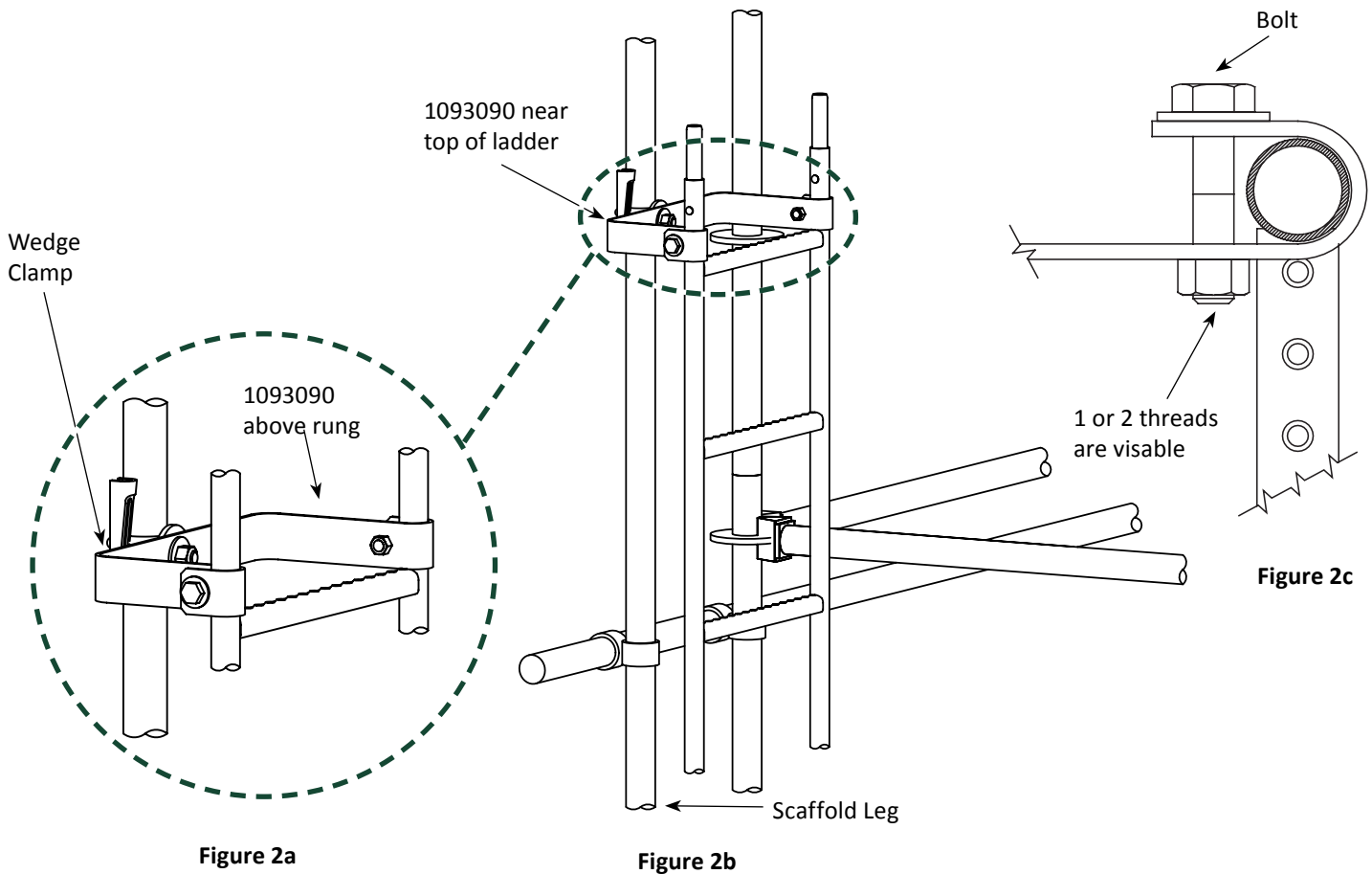
- Cordon off work area to prevent access by others.
- Conduct a hazard assessment with your crew.
- Ensure fall arrest equipment has been inspected and provided along with all necessary personal protective equipment (PPE).
- When feasible, and in accordance with applicable regulation, workers to be tied-off to an adequate anchor when exposed to a fall.

3. Bottom Scaffold Access Ladder



- Best practice is to position the first ladder onto a sill on the ground (see figure 1b). Ensure the ladder coupling pins are facing upwards.
- Only use hardware supplied with the 1093090.
- Install the first bracket under a rung near the bottom of the ladder. Install the second bracket under a rung near the top. Be sure the brackets are snugged up against the underside of the rungs (See figures 1a and 1b).
- Tighten the (2) bolts in each bracket until they are snug and 1 or 2 threads are showing (See figure 1c). Do not over tighten.
- Secure the wedge clamp around the scaffold leg (See figure 1b).

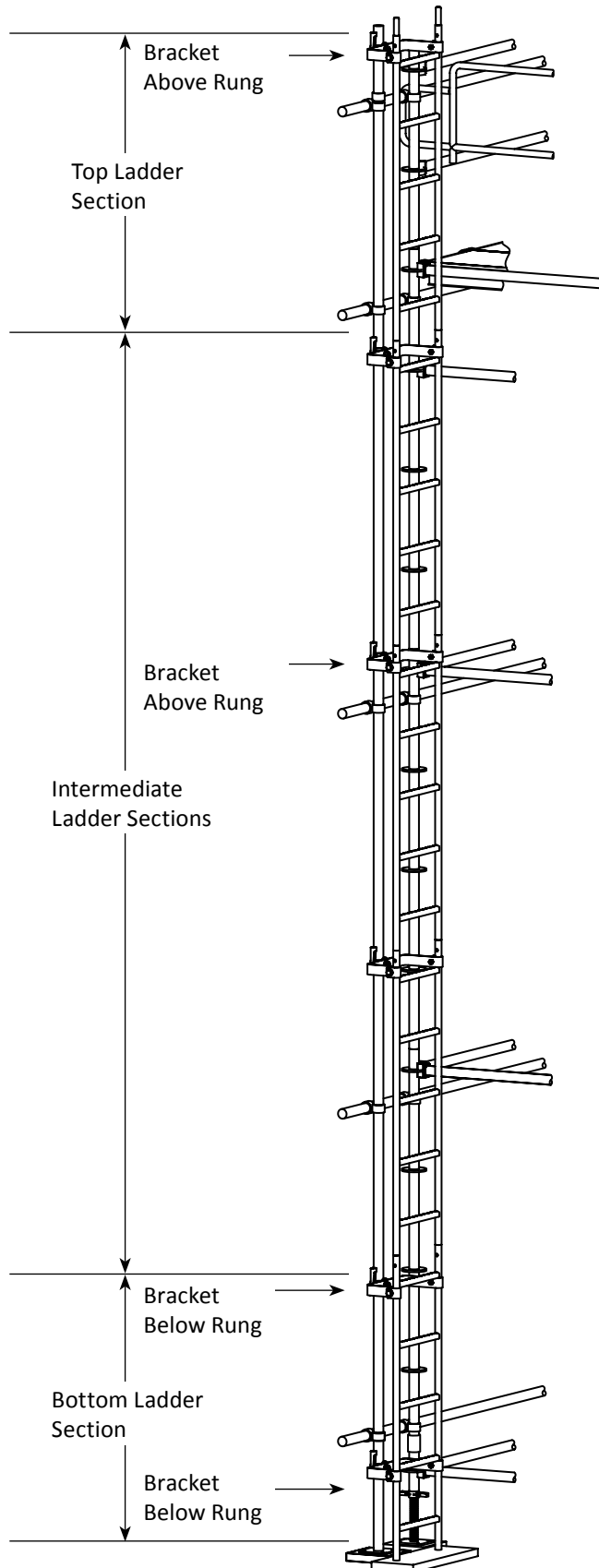
4 Intermediate Scaffold Access Ladder



- Pre-install one bracket on the ladder above an upper rung and snug against the top of that rung (See figures 2a and 2b).
- Tighten the (2) bolts in the bracket until they are snug and 1 or 2 threads are showing (See figure 2c).
- Install the new ladder with bracket by lowering it over the coupling pins of the ladder below. Make sure it is fully seated (See figure 2b).
- Secure the wedge clamp around the scaffold leg.

5. Top Scaffold Access Ladder

- A 1091091 is available to allow approximately 3' [0.91 m] extension above the upper work platform.
- Installation of the 1091091 is the same as with all intermediate level ladders. Refer back to section 4.



The page contains a large rectangular area for notes. The top portion of this area is filled with horizontal lines, providing space for free-form writing. The bottom portion of the area is a grid of small squares, suitable for mathematical work or data recording.

The page features a large rectangular area for notes, divided into two sections. The top section consists of approximately 10 horizontal lines. The bottom section is a large grid of small squares, suitable for technical drawing or detailed calculations.

BRAND **SAFWAY**TM

With a commitment to safety as its foremost value, BrandSafway was created when Brand Energy and Infrastructure Services and Safway Group combined in 2017. BrandSafway is a portfolio company of Clayton, Dubilier & Rice.

Brand Industrial Services, Inc.
1325 Cobb International Dr. Ste A-1
Kennesaw, GA USA 30152

Toll free: 800 558 4772

For more information, visit our website at
www.brandsafway.com