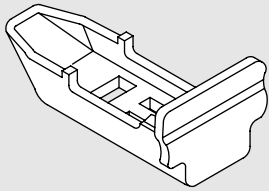


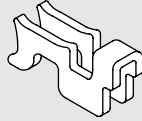


# Systems™ Scaffold Wedge Retainer Assembly & Installation Instructions

## Parts Required



Wedge  
(SSECW)



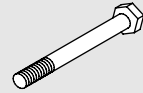
Retainer  
(SSECR)



1/4" dia. Lock Nut  
(SSECN)



Plastic Tubes  
(SSECT)



1/4" dia. x 2" Large Bolt  
(SSECB)

## Tools & Material Required

One 7/16" box wrench, one 7/16" socket wrench. Petroleum-based light oil is also required.

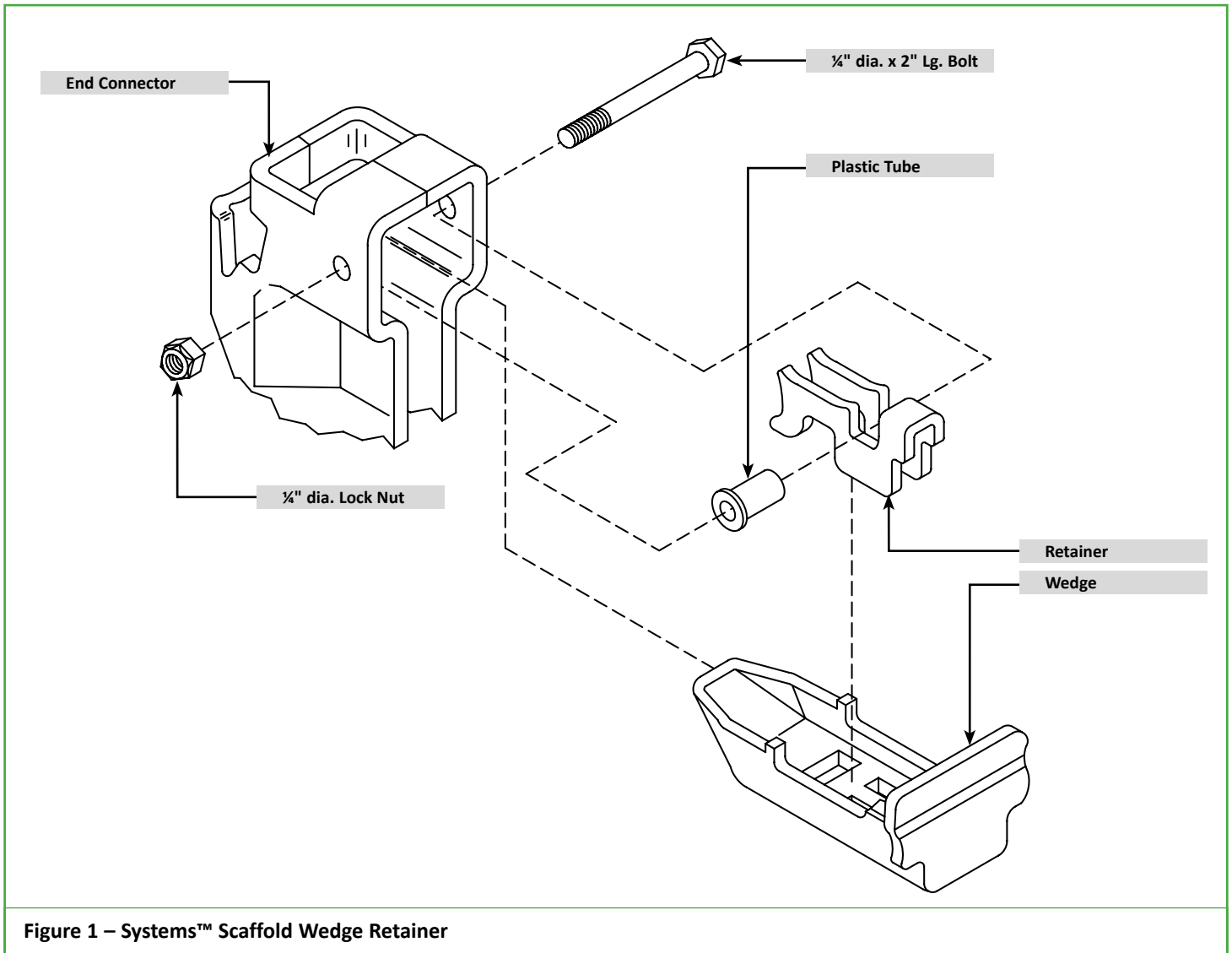


Figure 1 – Systems™ Scaffold Wedge Retainer

## 2 Assembly

### Wedge/Retainer Assembly Instructions

1. Insert the retainer into the wedge (Fig. 2, A). When correctly installed, the retainer is seated in the three slots in the wedge.
2. Insert the plastic tubing across the slot of the retainer (Fig. 2, B and C).

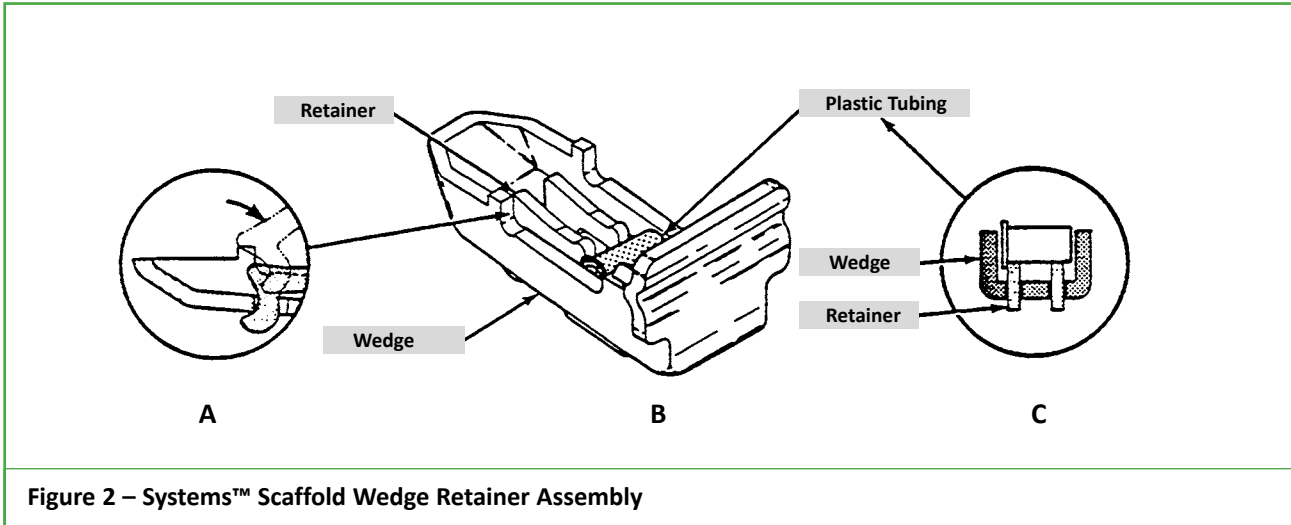


Figure 2 – Systems™ Scaffold Wedge Retainer Assembly

### Wedge/Retainer and End Connector Assembly Instruction

1. With original wedge removed, thoroughly inspect the end connector for damage. If damaged, discard component, and make no attempt to repair.
2. Insert the assembled wedge/retainer into the end connector (Fig. 3).
3. Dip tip of ¼"-diameter x 2"-long bolt in oil (makes it easier to pass through plastic tubing).

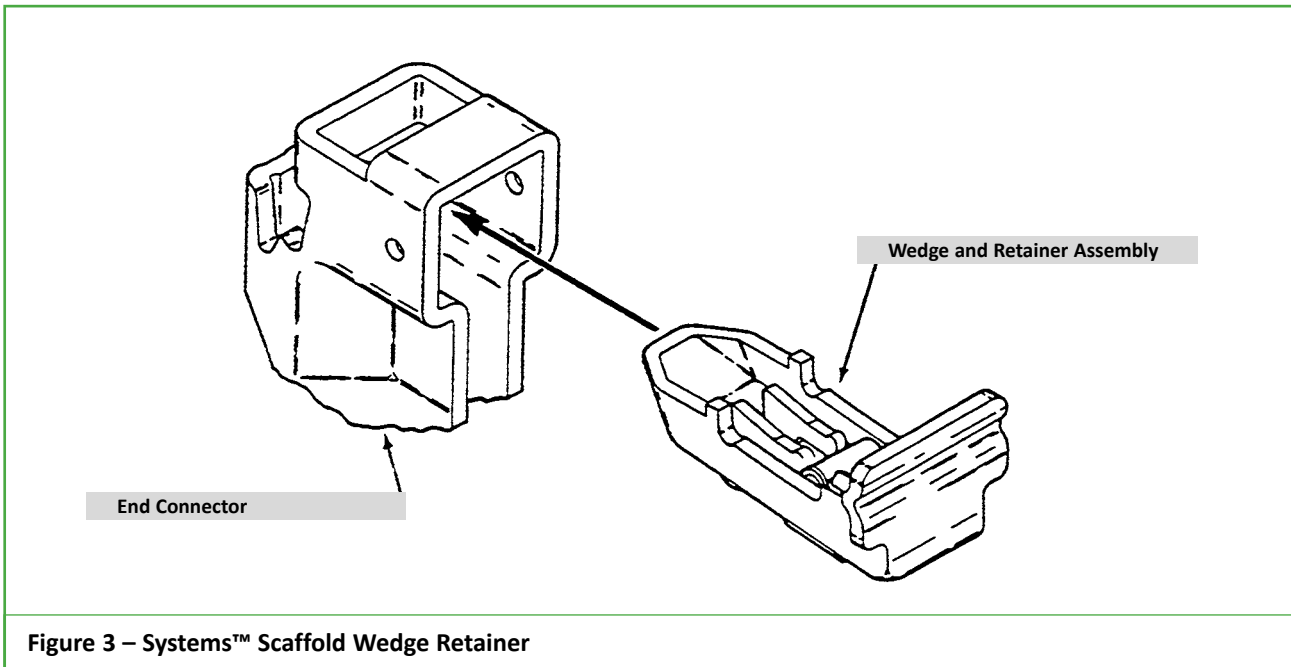
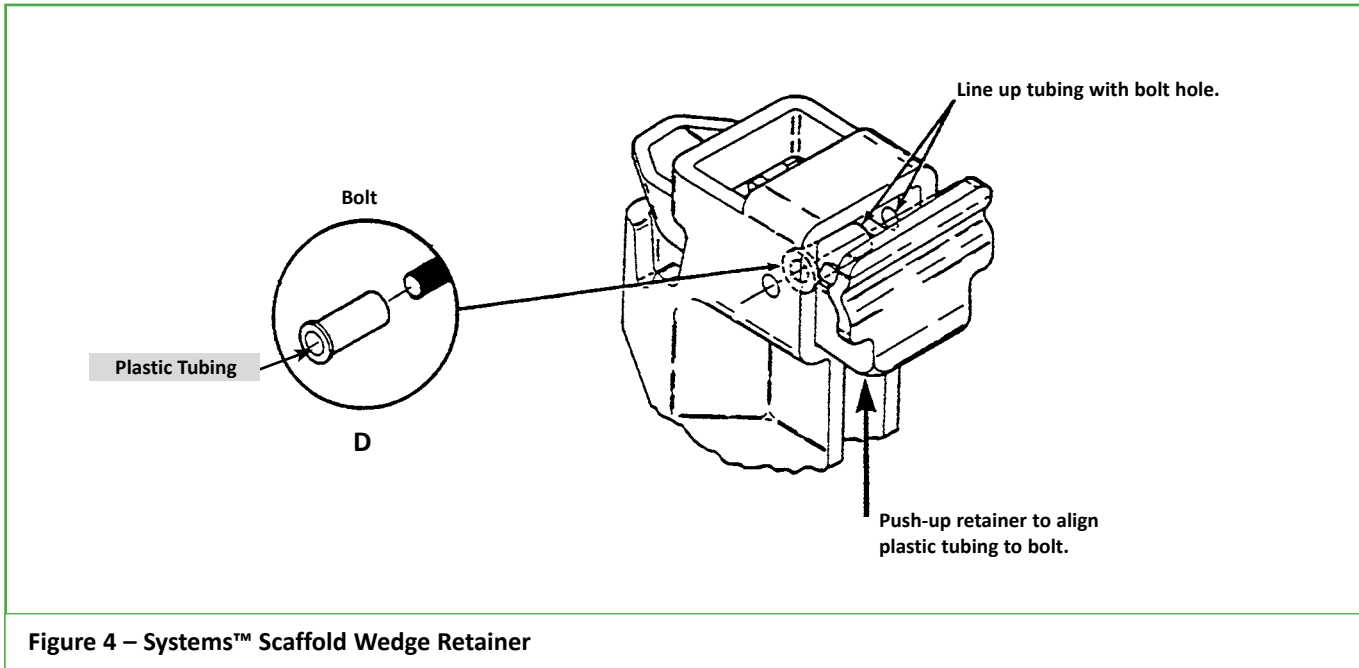


Figure 3 – Systems™ Scaffold Wedge Retainer



**Figure 4 – Systems™ Scaffold Wedge Retainer**

4. With your finger, push up on the retainer until the plastic tube aligns with the pre-drilled holes in the end connector (Fig. 4). Insert the bolt through the pre-drilled hole. Allow it to pass through the plastic tube from the side opposite the larger diameter tube end before it comes through the pre-drilled hole at the opposite side. Note: the tube may fit snugly around the bolt. If needed, lightly tap the head of the bolt to drive through.
5. Install the lock nut on the bolt, ensuring the flat side of the nut faces the threads. Use wrenches to complete the installation. Do not fully tighten the nut, allowing for a  $\frac{1}{16}$ " clearance between the nut and end connector (approximately one thread length).
6. Ensure the plastic tubing is positioned so that it seats within the retainer (Fig. 2, C). To complete the installation, use the Systems™ Pry Bar Hammer (SPBH) to pry the wedge to its outward position.

### Label Installation Instructions

If components with end connectors do not have a label attached, install the label (Part No. 7112A0002) as shown on page 4.

## 4 Typical Label Location

Install one label on each Systems™ Scaffold component that has one or more end fittings. Orient so that wedge in label faces the same direction as wedge in fitting.

Horizontal shown (typical). Also place labels on truss bearers, diagonal braces, side brackets and knee-out brackets.

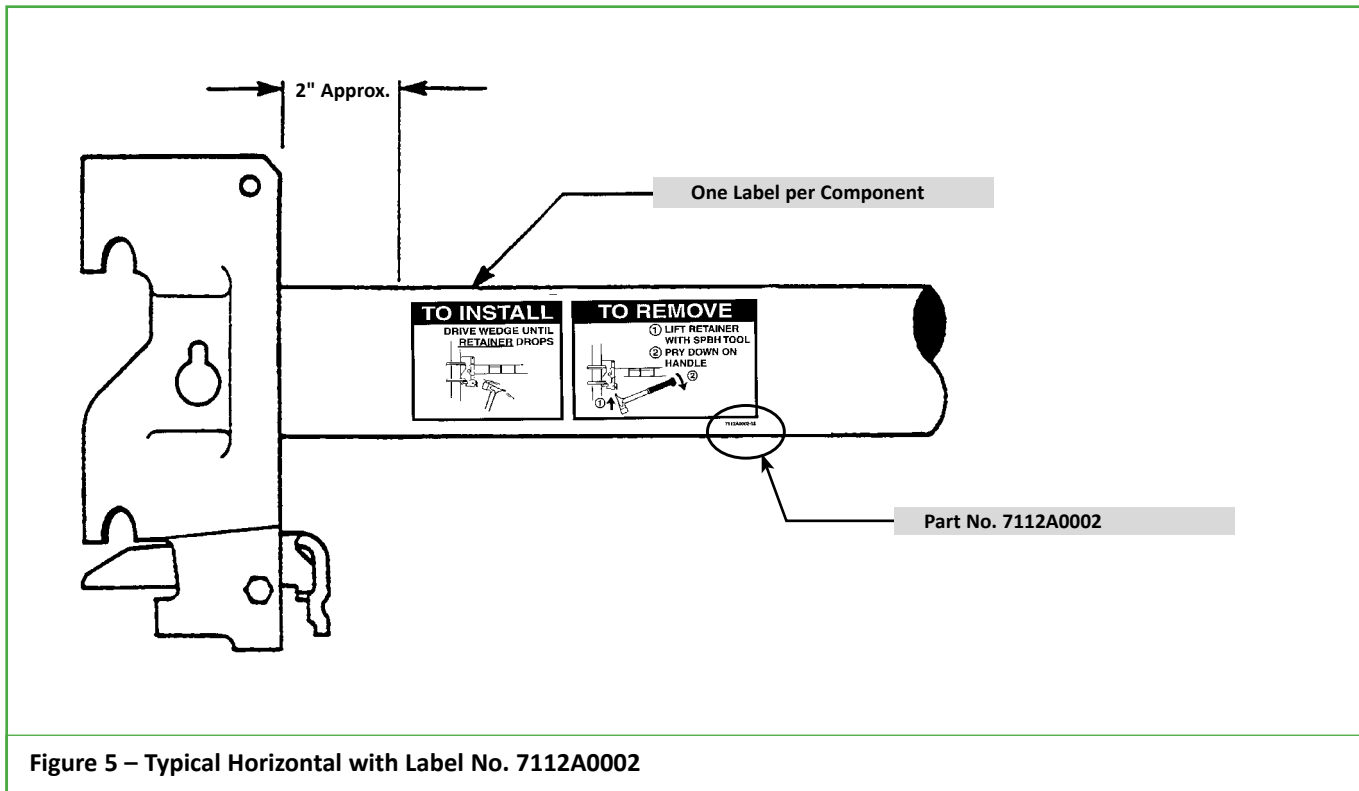


Figure 5 – Typical Horizontal with Label No. 7112A0002

All drawings on this sheet are for illustrative purposes only. This sheet is intended for general information purposes only. Because of the many variables which affect the performance of the product line, some of the information in this brochure may not apply. For specific applications, contact BrandSafway.

Note: All scaffolds shall be erected, modified and dismantled only under the supervision of a Competent Person. Erection, use, maintenance and disassembly must conform to current manufacturer's instructions as well as all federal, state, provincial and local regulations. Contact BrandSafway for copies of complete Safety Guidelines for these and other products without charge.