

Installation Instructions

Manual Hoist Arm (HA)

⚠ WARNING

SERIOUS INJURY OR DEATH CAN RESULT FROM FAILURE TO FAMILIARIZE YOURSELF AND COMPLY WITH ALL APPLICABLE SAFETY REQUIREMENTS OF FEDERAL, STATE, PROVINCIAL AND LOCAL REGULATIONS AND THESE INSTRUCTIONS BEFORE ERECTING, USING OR DISMANTLING THIS MANUAL HOIST ARM. INSTALLATION, USE AND DISMANTLING MUST BE DONE UNDER SUPERVISION OF A COMPETENT PERSON EXPERIENCED IN SCAFFOLD ERECTION AND DISMANTLING.

- DO NOT USE IN ANY OTHER FASHION OR WITH ANY OTHER COMPONENTS WITHOUT CONSULTING BRANDSAFWAY.
- ENSURE LOCK PIN AND DROP PIN (DP) ARE INSTALLED.
- MAXIMUM RATED HOISTED LOAD IS 100 POUNDS.
- SCAFFOLD MUST BE TIED, GUYED OR OTHERWISE STABILIZED AT EACH HOIST ARM LOCATION.
- DO NOT USE ON FREE STANDING SCAFFOLD TOWERS.
- MANUAL HOISTING ONLY; NO MOTORIZED HOISTING.
- ALL SCAFFOLD LEG SNAP BUTTONS (SB), PIG TAIL PINS (PTP), OR OTHER LOCKING DEVICES MUST BE ENGAGED.
- MOUNT HOIST ARM ONLY ON A PAIR OF SCAFFOLD FRAMES CONNECTED WITH A PAIR OF CROSS BRACES.
- ALWAYS USE A GIN WHEEL AND MANILA ROPE OF ADEQUATE CAPACITY.
- NEVER STAND DIRECTLY UNDER LOAD BEING HOISTED.

FOR USE WITH BRANDSAFWAY SECTIONAL SCAFFOLD.

Fits open End and Mason style frames.

Please read and follow these instructions before installing, using or dismantling this manual hoist arm.

Prior to Installation

1. User must check and verify that the existing structure can safely support all tie loads imposed on it by the scaffold.

Product Inspection

1. Manual Hoist Arm, Gin Wheel and hoisting rope shall be inspected by a competent person before each use and periodically during use.
2. If damage is found, immediately remove the item from service and replace with a new component.

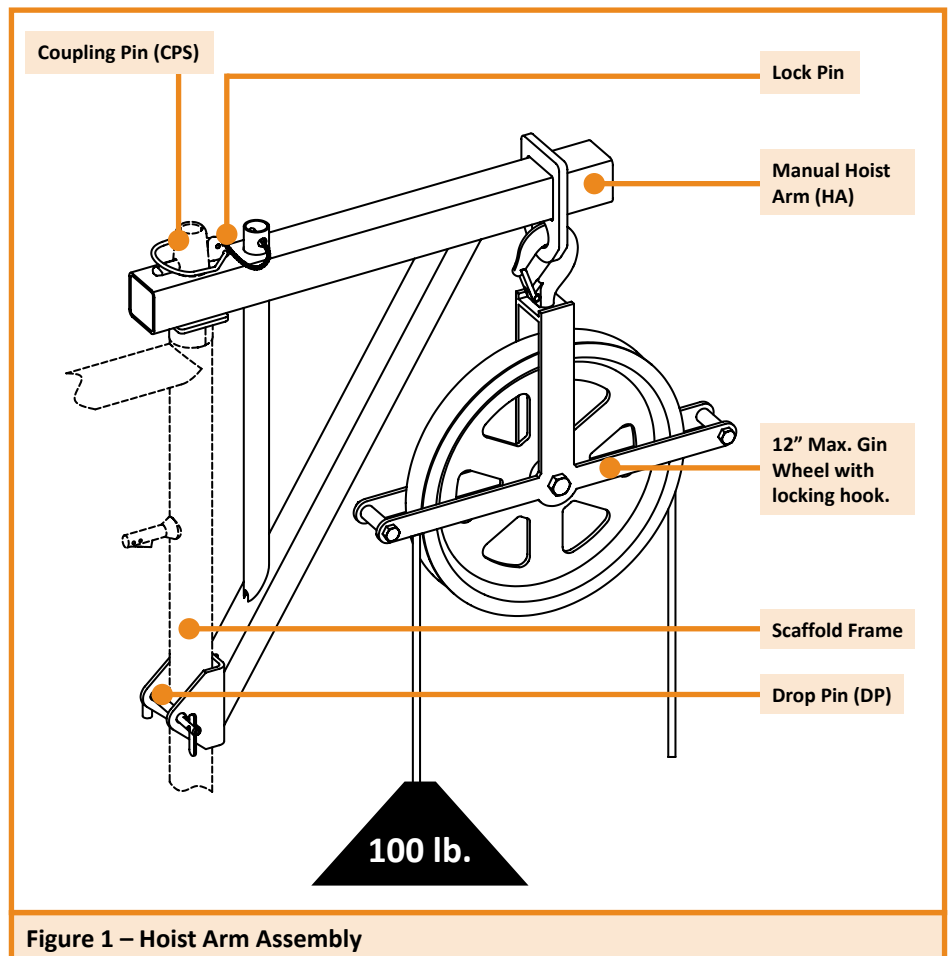


Figure 1 – Hoist Arm Assembly

Installation and Use

1. Erect scaffold as required by OSHA, CAN/CSA and BrandSafway instructional materials, available from BrandSafway.
2. Tie, Guy or otherwise stabilize scaffold at each hoist arm location.
3. Ensure all coupling pin snap buttons (SB), pigtail pins (PTP) or other locking devices are properly engaged.
4. Install the Manual Hoist Arm (HA) onto the coupling pin (CPS) of a pair of scaffold frames connected by a pair of cross braces. See Figure 2.
5. Secure the manual hoist in place using included lock pin and Drop Pin (DP). See Figure 1.
6. Install gin wheel and reeve manila rope.
7. Once the load is hoisted to the working platform, the manual hoist arm can be swung inwards over the platform. The load can then be lowered onto the platform.

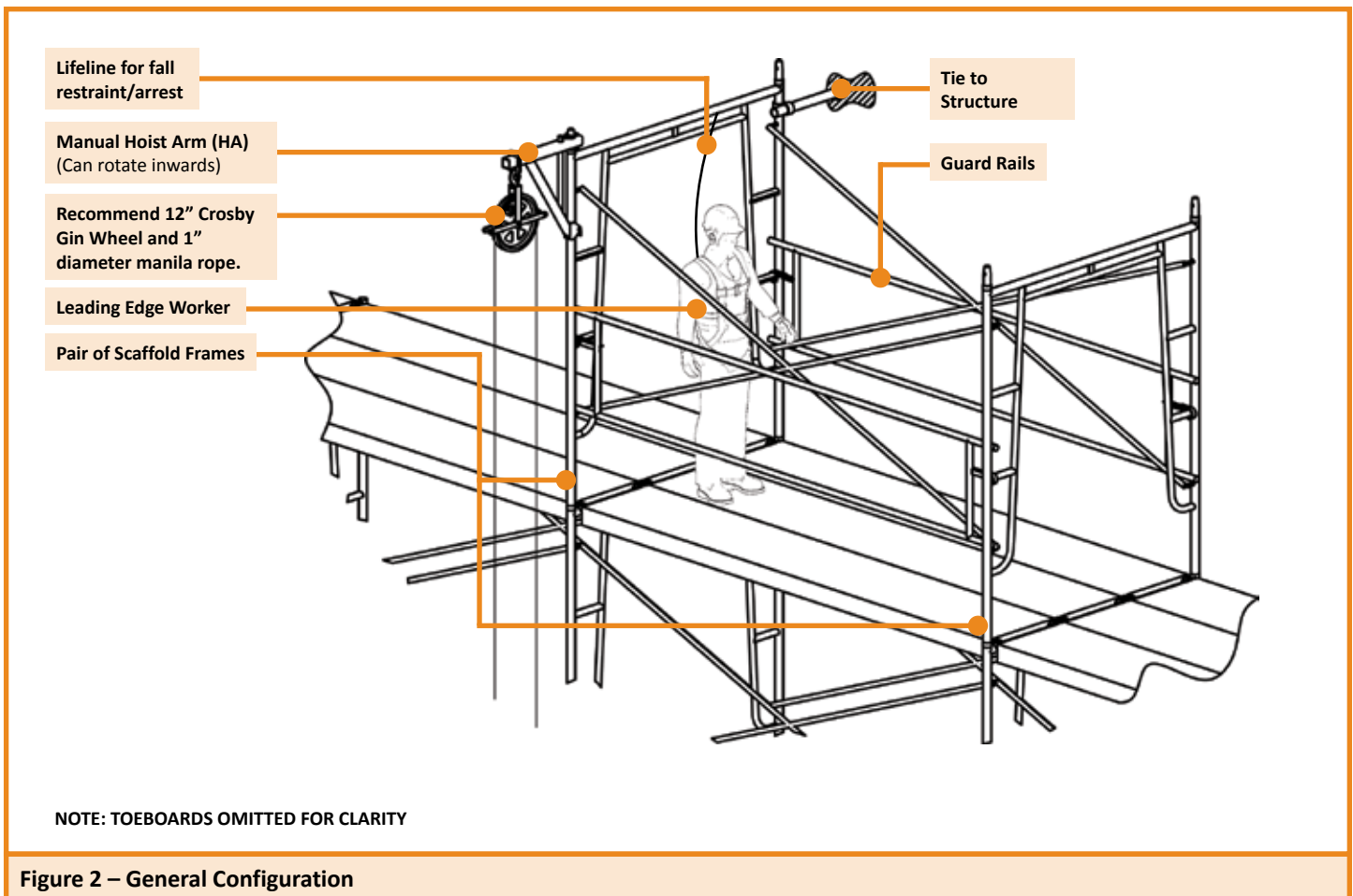


Figure 2 – General Configuration

Note: All scaffolds shall be erected, modified and dismantled only under the supervision of a Competent Person. Erection, use, maintenance and disassembly must conform to current manufacturer's instructions as well as all federal, state, provincial and local regulations. Copies of complete Safety Guidelines for these and other products are available from BrandSafway without charge.

All drawings on this sheet are for illustrative purposes only. This sheet is intended for general information purposes only. Because of the many variables which affect the performance of the product line, some of the information in this brochure may not apply. For specific applications, contact BrandSafway.

Brand Industrial Services, Inc.
1325 Cobb International Dr. Ste A-1
Kennesaw, GA USA 30152
Toll free: 800 558 4772

For more information, visit our
website at www.brandsafway.com

©2018 All rights reserved.