

# Adjustable Guardrail Gate (GRGA) Installation Instructions

## ⚠ WARNING

PLEASE READ AND FOLLOW THESE INSTRUCTIONS BEFORE INSTALLING, USING OR DISMANTLING THIS ADJUSTABLE GATE. SERIOUS INJURY OR DEATH CAN RESULT FROM FAILURE TO FAMILIARIZE YOURSELF AND COMPLY WITH ALL APPLICABLE SAFETY REQUIREMENTS OF FEDERAL, STATE, LOCAL AND PROVINCIAL REGULATIONS.

INSTALLATION AND DISMANTLING MUST BE DONE UNDER SUPERVISION OF A COMPETENT PERSON EXPERIENCED IN SCAFFOLD ERECTION AND DISMANTLING. DO NOT USE IN ANY OTHER FASHION OR WITH ANY OTHER COMPONENTS WITHOUT CONSULTING BRANDSAFWAY.

## Installation

1. Determine the type of scaffold on which the gate will be installed.
2. Determine bay size (leg spacing or frame width).
3. Adjust the gate accordingly based on frame and/or type of scaffolding used.
4. Position the gate on the inside of the platform so the top rail of the gate is between 38" – 45" above the platform. Refer to federal, state, local and provincial regulations for actual top rail height requirement.  
**Note: Gate must swing inward.**
5. Tighten clamps to 40 ft./lb. minimum.
6. Check operation of the gate to ensure it closes properly and does not swing beyond the leg, post or frame.

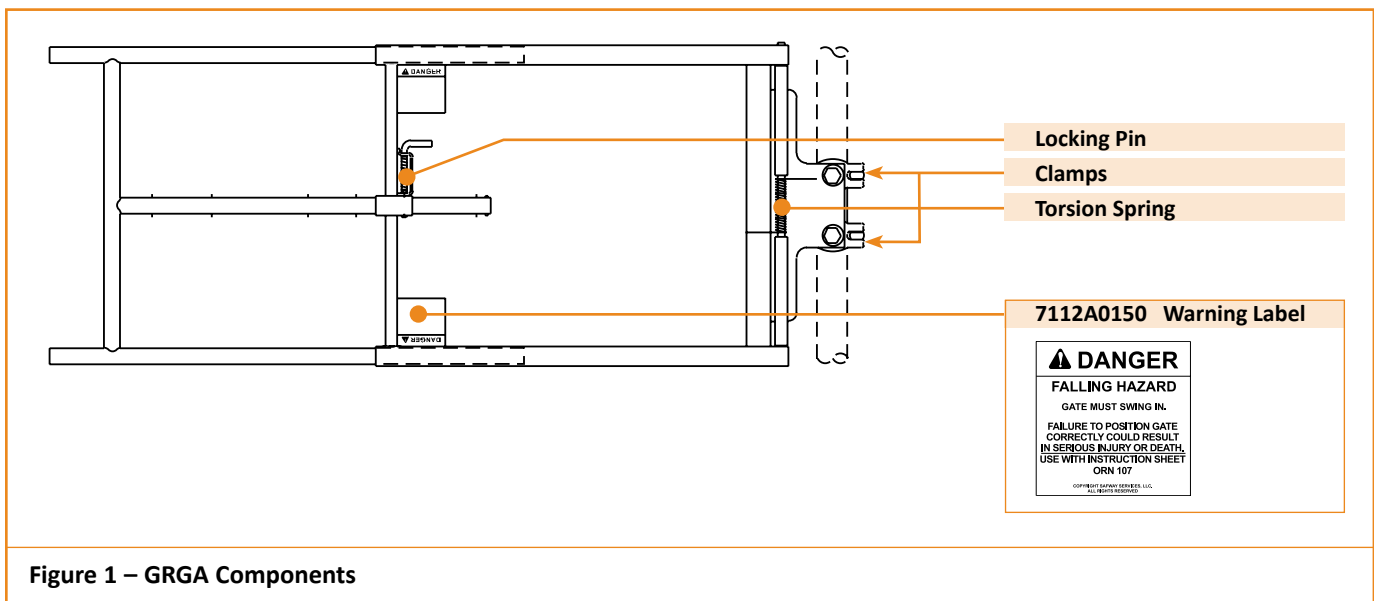


Figure 1 – GRGA Components

# Gate Configurations

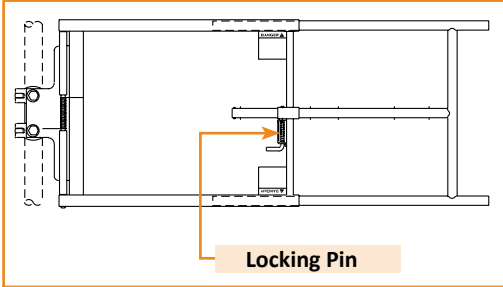
Gate can be installed on either side (Fig. 2, Fig. 3).

Position the gate on the inside of the platform so the top rail of the gate is between 38" – 45" above the platform (Fig. 4). Refer to federal, state, local and provincial regulations for actual top rail height requirement.

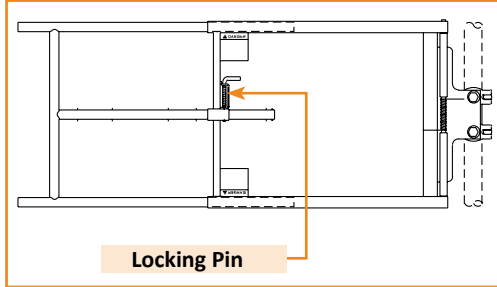
**Note: Gate must swing inward.**

Torsion spring will automatically close gate.

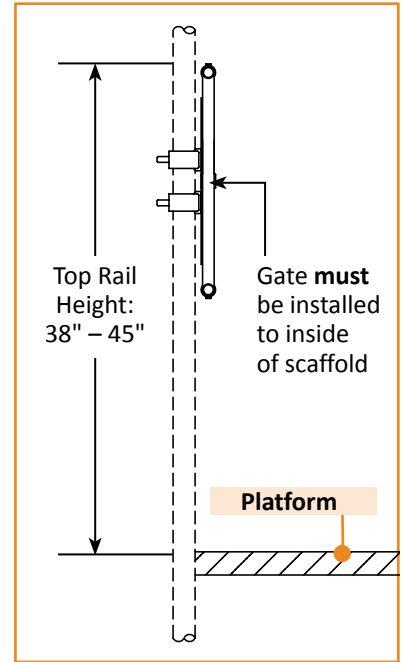
Tip of locking pin will extend through hole when pin is fully engaged.



**Figure 2 – Left Hand View of Gate**  
(from inside scaffold)

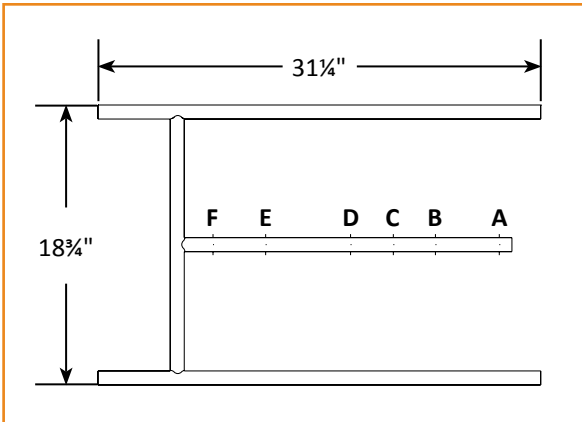


**Figure 3 – Right Hand View of Gate**  
(from inside scaffold)

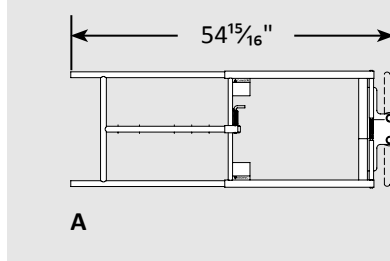


**Figure 4 – Top Rail Height Requirement**

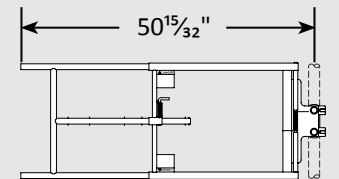
## Hole Identification and Positioning



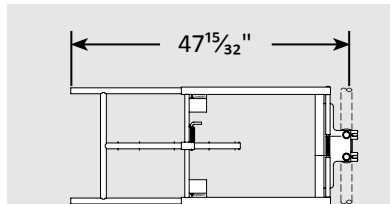
**Figure 5 – Pin Hole Identification**



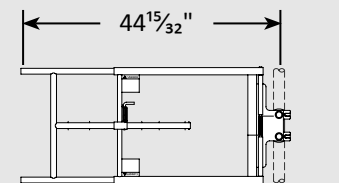
**A**



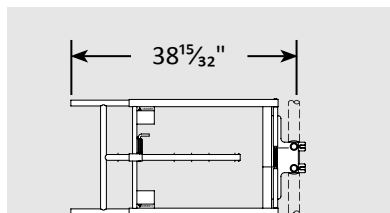
**B**



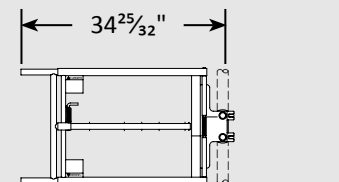
**C**



**D**



**E**



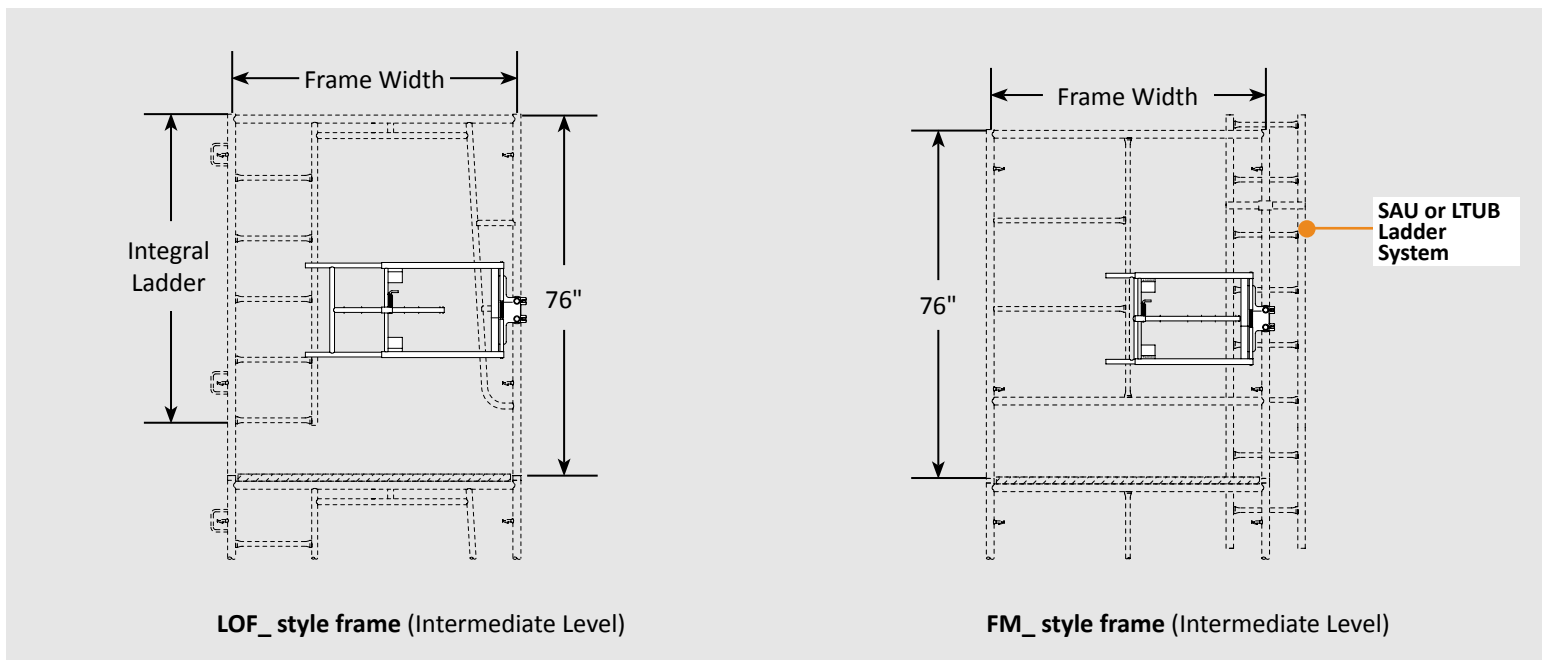
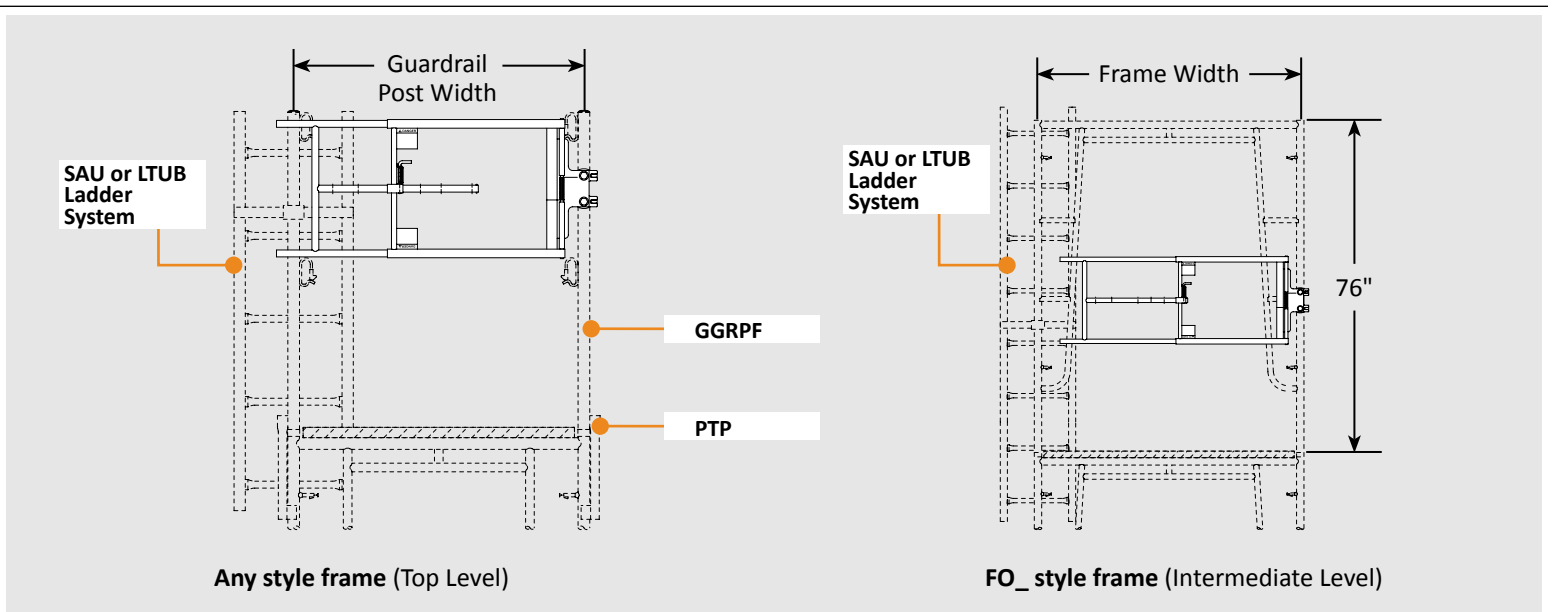
**F**

# Installation on Sectional Scaffold

## Installation on Sectional Frames

Frame Type	Top Level Guardrail Post Width	Intermediate Level Frame Width	Hole Position (Fig. 5)
Any style*	48"	-	B
Any style*	42"	-	D
Any style*	36"	-	E
FO_	-	42"	E
FO_	-	48"	D
FO_	-	60"	A
LOF_	-	60"	D
FM_	-	60"	F

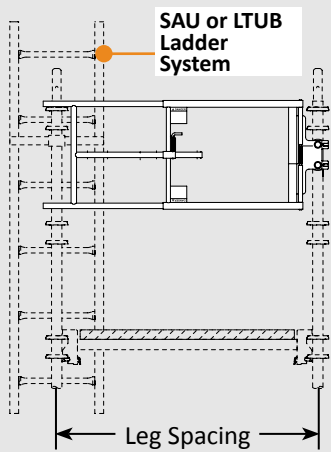
\*GGRP and PTP must be installed. For 60" frame width, use GRG5DH.  
No 36" configuration available for FO\_ Style frame (Intermediate Level).



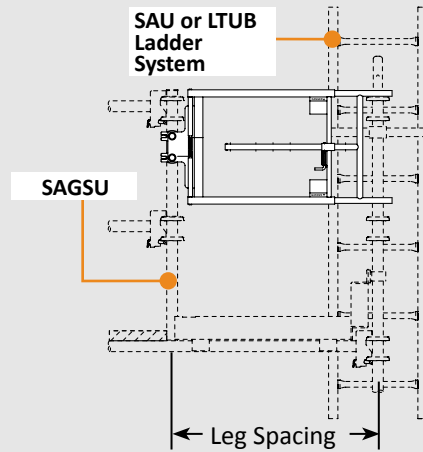
# Installation on Other Types of Scaffold

## Installation on Systems™ Scaffold

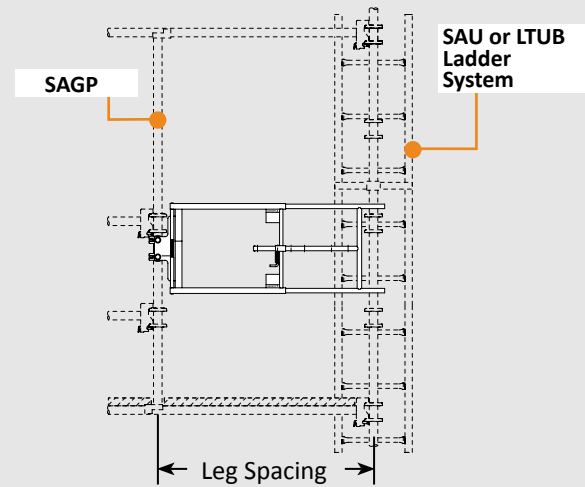
Leg Spacing	Hole Position (Fig. 5)
33"	F
36"	E
42"	D
45"	C
48"	B



Systems™ Bays (up to 48")



Systems™ Gate Unit



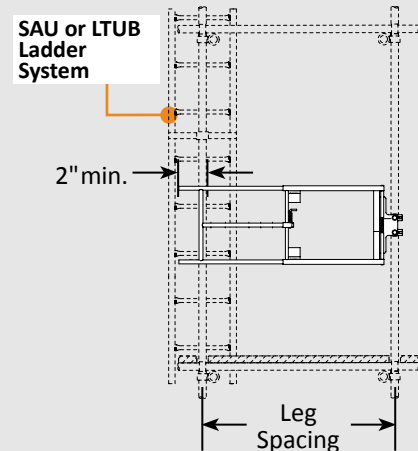
Systems™ Gate Post

## Installation on Tube & Clamp Scaffold

Leg Spacing	Hole Position (Fig. 5)
33"	E
36"	D
42"	C
45"	B
48"	A

All drawings in this guide are for illustrative purposes only. This guide is intended for general information purposes only. Because of the many variables which affect the performance of the product line, some of the information in this brochure may not apply. For specific applications, contact BrandSafway.

Note: All scaffolds shall be erected, modified and dismantled only under the supervision of a Competent Person. Erection, use, maintenance and disassembly must conform to current manufacturer's instructions as well as all federal, state, provincial and local regulations. Copies of complete Safety Guidelines for these and other products are available from BrandSafway without charge.



Tube & Clamp

**Brand Industrial Services, Inc.**  
1325 Cobb International Dr. Ste A-1  
Kennesaw, GA USA 30152

**Toll free:** 800 558 4772

For more information, visit our website  
at [www.brandsafway.com](http://www.brandsafway.com)

©2018 All rights reserved.